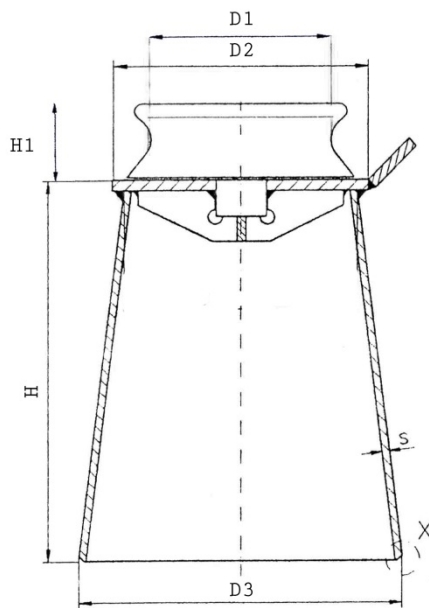


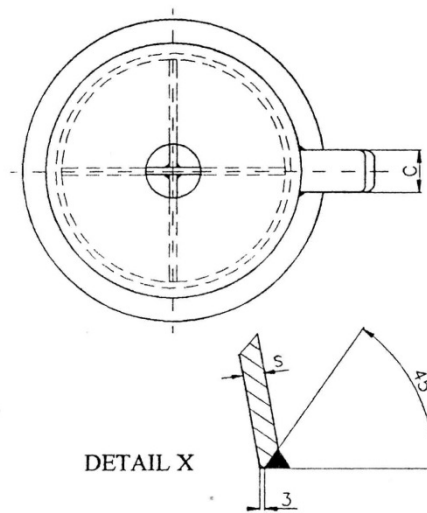
Warping Roller With Socket DIN 81906

Form B Conical

TTR Code no. 22.253 – 22.258



TOP VIEW
(WITHOUT WARPING ROLLER)



Designation of a warping roller
Type 8 with conical socket 1020 mm high

Warping roller with socket
DIN 81906 – B8 – 100

Finish: Shopprimer
Weight: 470 kgs

D1	400 mm
D2	560 mm
D3	1020 mm
H	1020 mm
H1	216 mm
S	12 mm
C	100 mm

Tenwolde Transport
en Repair B.V.

P.O. Box 5023
3274 ZJ Heinenoord
the Netherlands

Tel: +31(0)186-603333
Fax: +31(0)186-603619
info@tenwolde.com

Visiting address:
Boonsweg 19
3274 LH Heinenoord
the Netherlands