

## Pumps

TTR Code no.: 71.012 + 71.013 + 71.026 + 71.027

### Specifications

Make : TTR  
Type : 4 " Diesel Ballast pump  
W.O. nr : 4538

### Pump

Make : Desmi  
Type : SA 100-235/28  
Size : 4 "  
Suction / Discharge : 4 " / 4 "  
Capacity : 150 m<sup>3</sup>/hr @ 15 mWC  
Max. head : 30 mWC

### Engine

Make : Hatz  
Model : Silent pack 2L41C  
RPM : 2500  
kW : 24  
Electrical start : 12 V

### Dimensions

O.a. : 2100 x 1450 x 1200 mm  
Base : 1460 x 920 mm  
Weight : 1.020 kg

### General

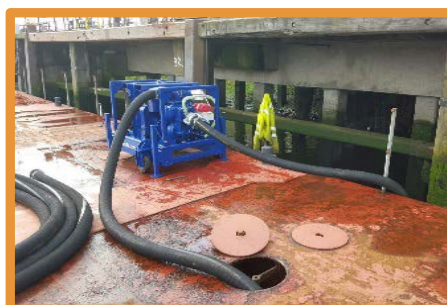
: Fuel cap 90 ltr  
Mobile / stackable compact design diesel driven water ballast / salvage pump. Pump equipped with 2 pcs coupling perrot V-port.  
Hand operated vacuum pump.

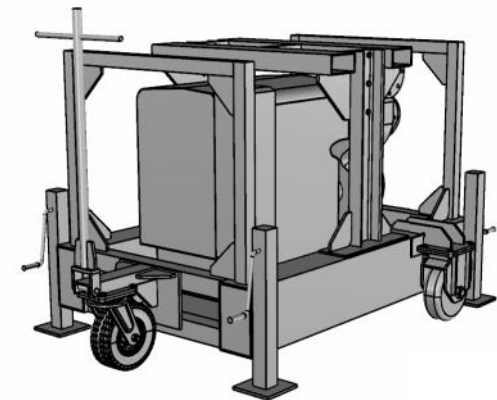
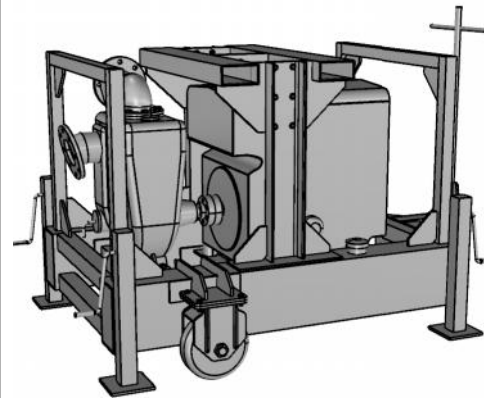
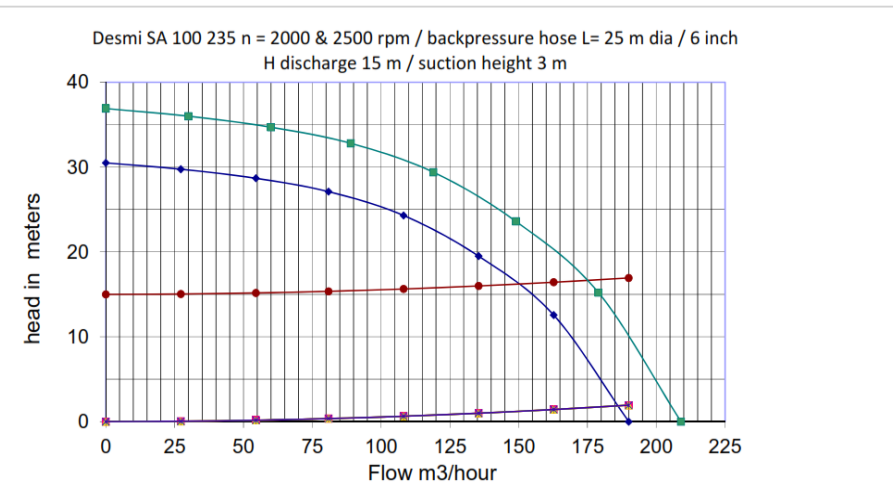
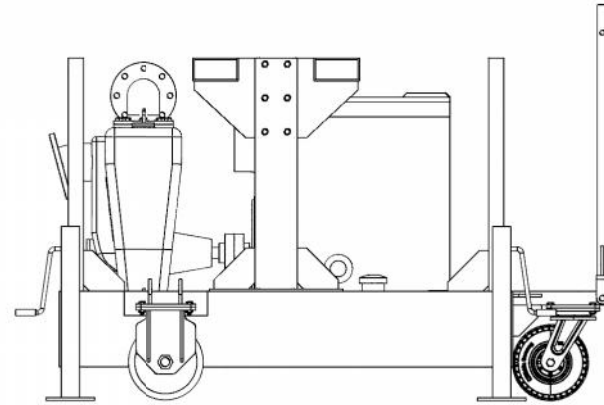
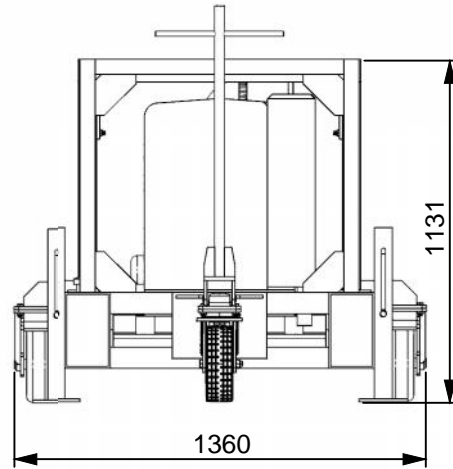
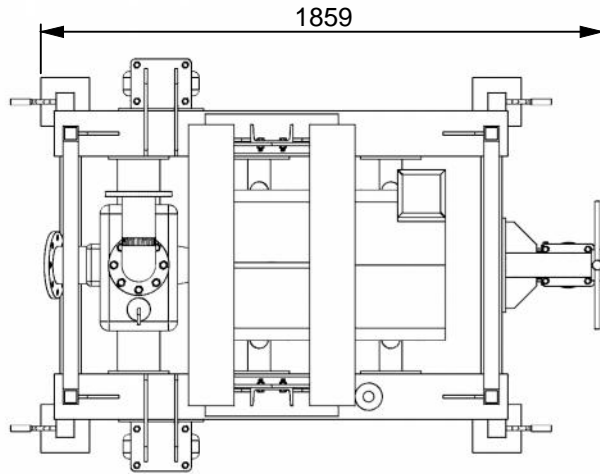
Tenwolde Transport  
en Repair B.V.


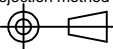
P.O. Box 5023  
3274 ZJ Heineoord  
the Netherlands

Tel: +31(0)186-603333  
Fax: +31(0)186-603619  
info@tenwolde.com

Visiting address:  
Boonsweg 19  
3274 LH Heineoord  
the Netherlands





Work order 4538	Warehouse code TTR 71.012-71.013-71.026-71.027	Dimensions overall LxWxH: 1859x1360x1131 mm	Project xxxx	Quantity 4	
Workload xxxx	Testload xxxx	Breakload xxxx	Weight 876 kg	Drawn by THA Scale 1:25	
			Unit mm	Material xxxx	
			Date 20-04-2016		
	Tenwolde Transport en Repair B.V. Postbus 5023 3274 ZJ Heinenoord Boonsweg 19 3274 LH Heinenoord T 0186-603333 E info@tenwolde.com W www.tenwolde.com	Projection method 	Drawingnumber 05-01-05 Desmi pomp SA100-235-28 brochure	Revision A5	Sheet size A4
		Title Pomp skid Desmi SA 100-235-28 / Hatz 2 L41C			