

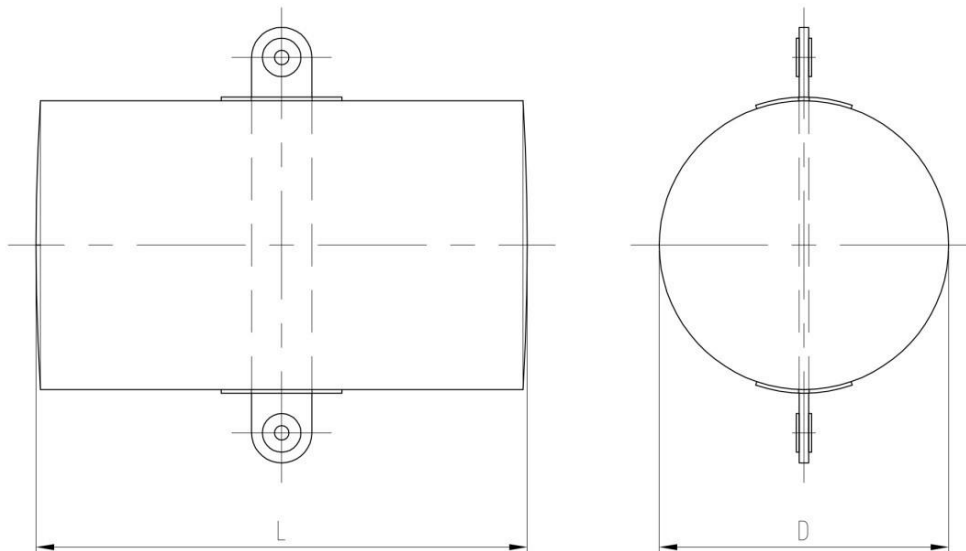
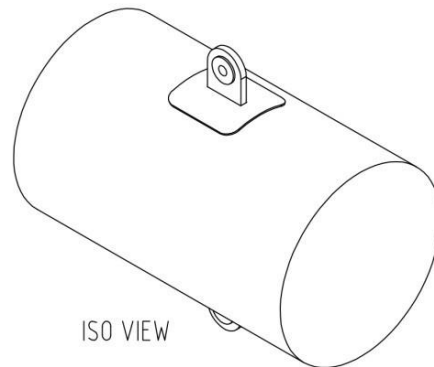
## Steel Anchor Pennant / Mooring Buoy B

### Specifications

Type : Steel Anchor Buoys  
Make : T.T.R.

### General

Color : Yellow  
Foam core : Closed Cell Foam  
Anchor Type : Plate Pad Eye



TYPE	BUOYANCY	DIA (MM)	LENGTH (MM)	WEIGHT EMPTY	WEIGHT FULL
TTR-250	250 KG	800	1300	293	318
TTR-1250	1250 KG	1200	2000	825	915

Tenwolde Transport  
en Repair B.V.

P.O. Box 5023  
3274 ZJ Heinoord  
the Netherlands

Tel: +31(0)186-603333  
Fax: +31(0)186-603619  
info@tenwolde.com

Visiting address:  
Boonsweg 19  
3274 LH Heinoord  
the Netherlands