

2 Pcs. Hydraulic Single Drum Winches

(with warping head)

TTR Code no.: 11.044 - 11.045

Specifications

Make : Ridderinkhof
Type : Anchor mooring winch
Number : MW-H-120-98-8183
Line pull : 120 kN @ 235 bar (first layer)
Line speed : 12 mtr/min @ 85 ltr/min
Brake holding force : 240 kN @ first layer

Drum size

Drum diameter : 445 mm
Drum length : 800 mm
Flange diameter : 950 mm
Wire capacity : 350 mtr Ø 32mm 8 layers
Warping head : 400 mm

Drive

Hydraulic motor : Linde MMF43 CC
Brake : Hydraulic band brake
Gearbox : With planetary total i : 1450

Dimensions

Dimensions o.a. : 2390 x 1150 x 1400 mm
Base : 1640 x 1130 mm
Weight : appr. 1950 kg excl. steelwire

General

- Hydraulic operated friction clutch
- Coupling and band brake on drum
- Manual operated pawl.
- Warping head
- Execution: 2x right hand

Tenwolde Transport
en Repair B.V.

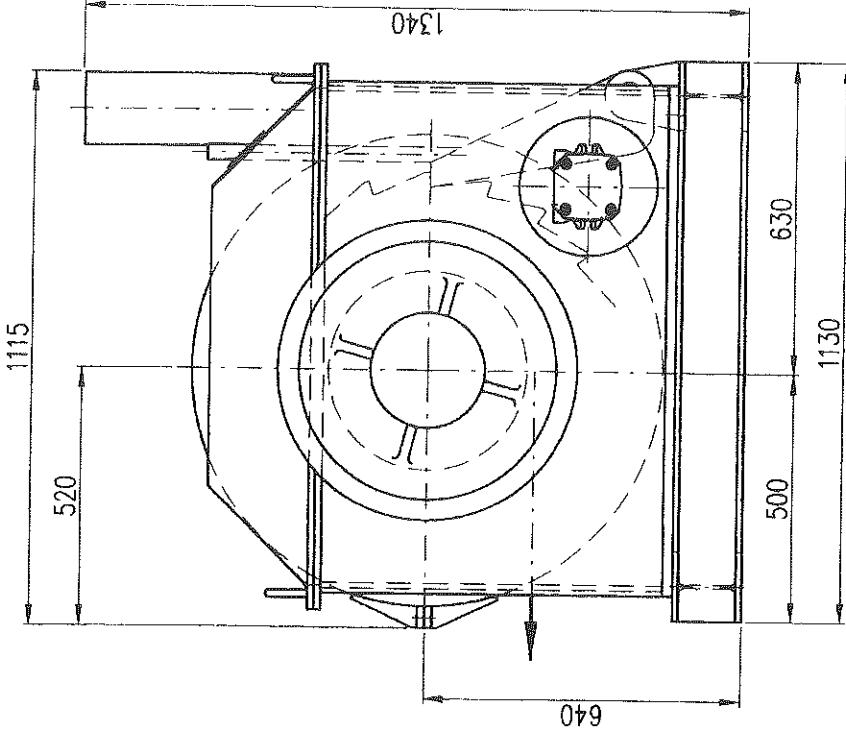
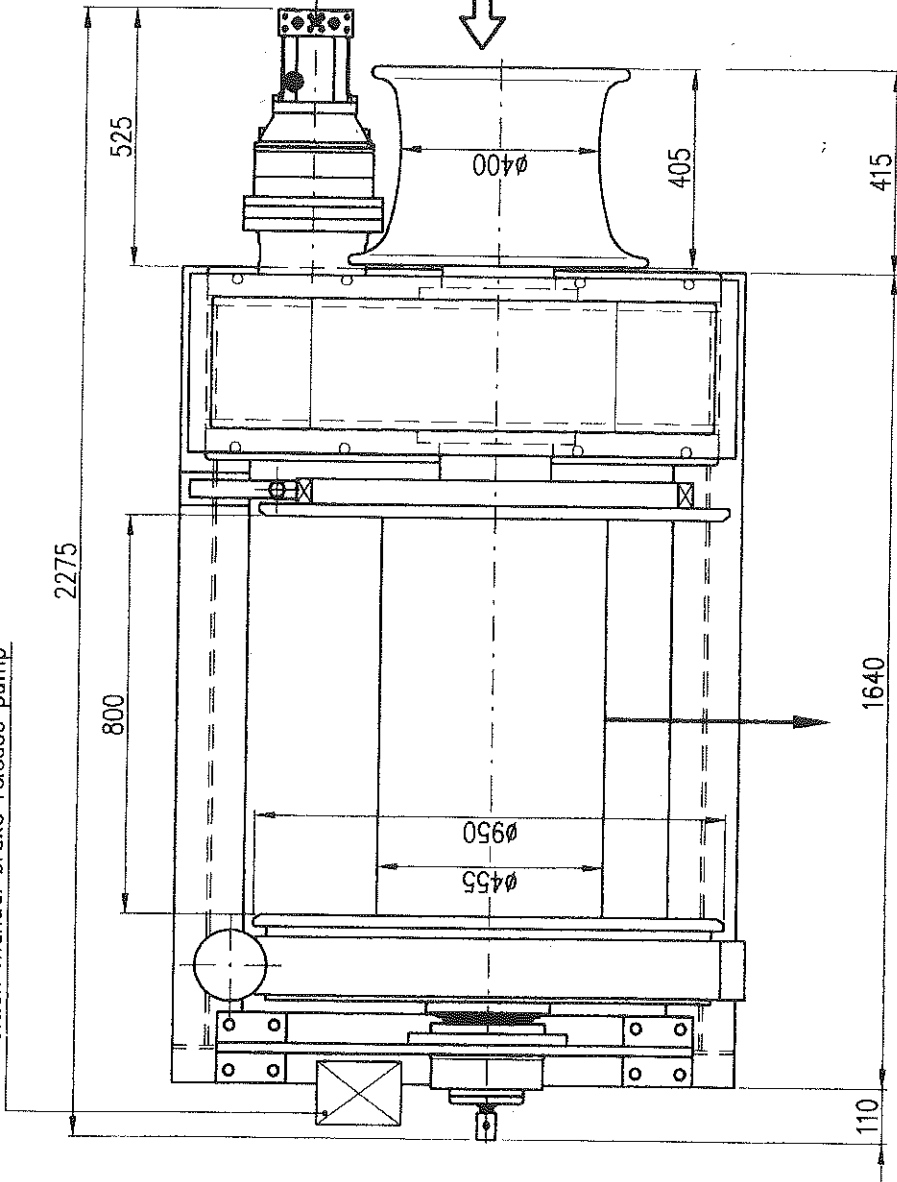
P.O. Box 5023
3274 ZJ Heinoord
the Netherlands

Tel: +31(0)186-603333
Fax: +31(0)186-603619
info@tenwolde.com

Visiting address:
Boonsweg 19
3274 LH Heinoord
the Netherlands



Position manual brake release pump



View "P"

Number of winches: 2

Project no		Scale: 1:10	
Length:		Breadth:	
Depth:		Frame spacing:	
Drawn:		Date: 11-11-1998	
Dwg.:		A3-4616-256	
Name:		General arrangement plan. Mooring winch 12 tons	
Notice:			