

2 pcs. Side / Fender Pontoons

TTR Code no: 51.008

Specifications

Type of vessel	: Side Pontoon
Principal dimensions	: 12,00 x 1,26 x 1,25 m
Empty Draught	: approx. 0,45 m
Construction weight	: approx. 7 ton
Remarks	: Pontoons at one side connectable

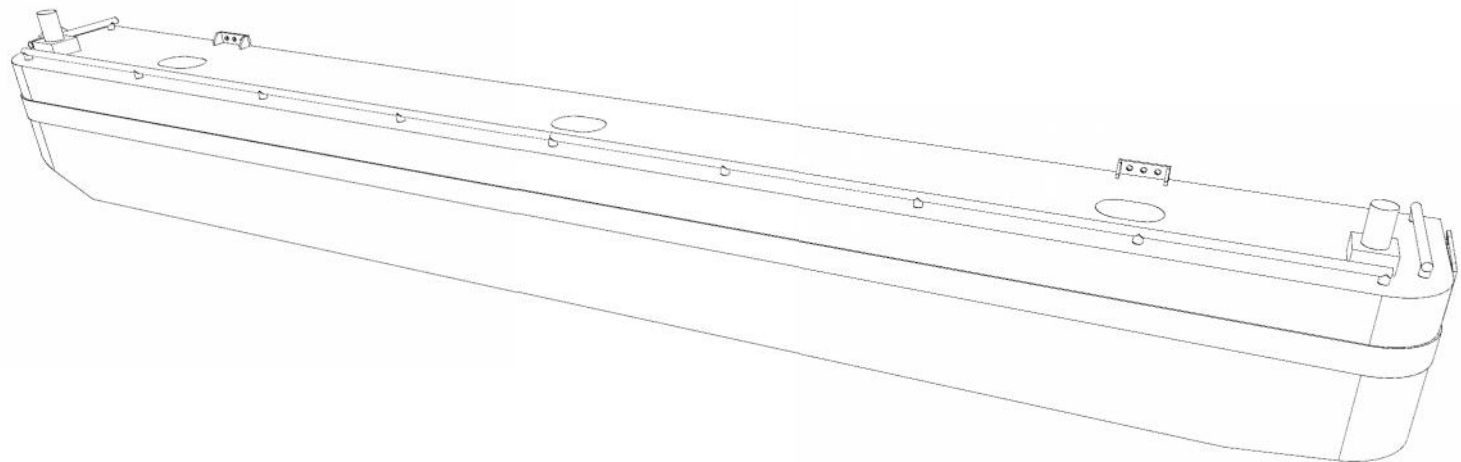
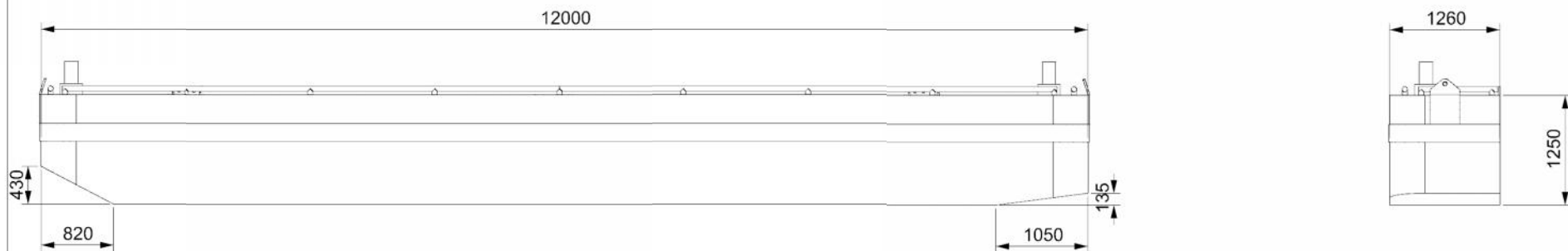
Tenwolde Transport
en Repair B.V.

P.O. Box 5023
3274 ZJ Heinenoord
the Netherlands



Tel: +31(0)186-603333
Fax: +31(0)186-603619
info@tenwolde.com

Visiting address:
Boonsweg 19
3274 LH Heinenoord
the Netherlands





No details guaranteed but believed correct

Work order XXXX	Warehouse code TTR 51.008	Dimensions overall L=12 m W= 1,26 m H= 1,25 m		Project XXXX	Quantity 2	
Workload XXXX	Testload XXXX	Breakload XXXX	Weight 7 ton	Drawn by THA	Remarks XXXX	
				Scale XXXX		
				Unit mm	Material XXXX	
				Date 02-04-2016		
 Tenwolde Transport en Repair B.V. Postbus 5023 3274 ZJ Heinenoord Boonsweg 19 3274 LH Heinenoord T 0186-603333 F 0186-603619 E info@tenwolde.com W www.tenwolde.com			Projection method 	Drawingnumber 01-01 Pontoon 12-1.25-1.25 m 51.008	Revision A0	Sheet size A4
			Title Side pontoons			