

DOUBLE SHEAVE SWIVELHEAD FAIRLEADER

TTR CODE NO. 21.041 – 21.044 (4 pcs)

SPECIFICATIONS

Model: AF-50
TTR ref. no.: WO.5074

DIMENSIONS:

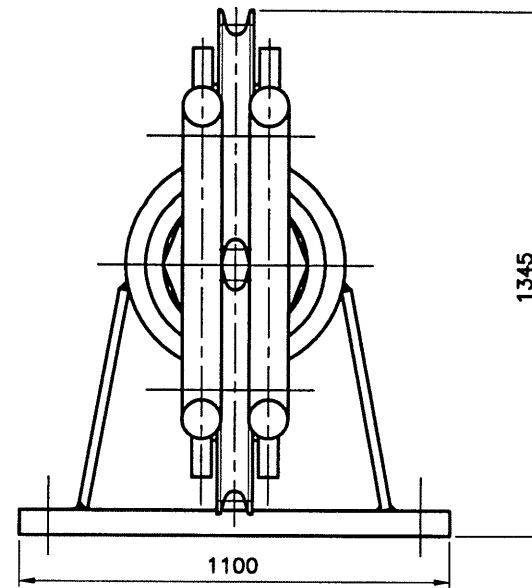
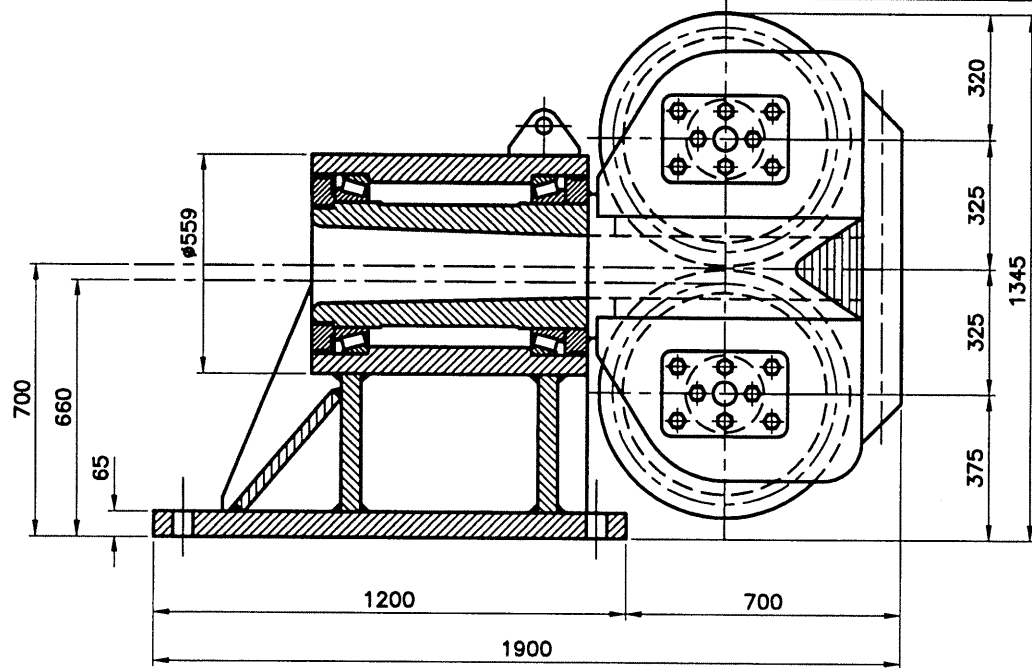
Dimensions o.a.: 1900 x 1100 x 1345 mm (LxWxH) – excl. welding plate
Dimensions base plate: 1200 x 1100 mm (LxW)
Dimensions welding plate: 1270 x 1210 x 55 mm (LxWxH)
Weight: appr. 3400 kg – excl. welding plate
Weight welding plate: appr. 800 kg

GENERAL

- Including welding plate for welding on deck
- 90° Sheave wrap / 90° Head swing
- Suitable for dia. 50 mm steel wire



No details guaranteed but believed correct.

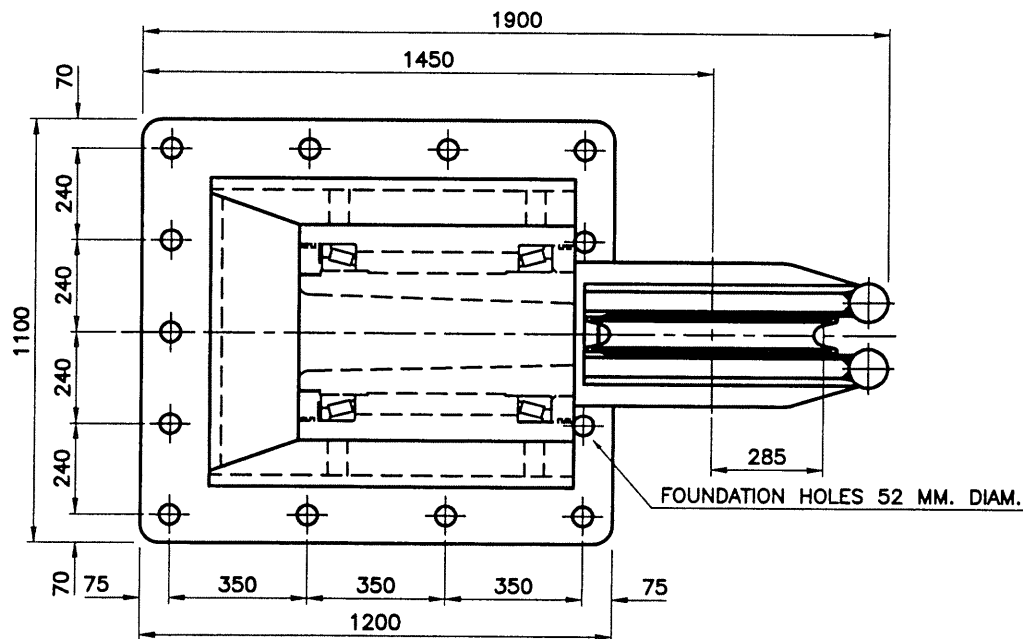


STANDARD FEATURES

- Extra heavy construction, built to withstand breaking strength of indicated cable at 90° sheave wrap and by 90° head swing.
- Barrel equipped with tapered roller bearings.
- Base designed for welding to deck, construction made from steel St 52-3 DIN 17.100, completely sandblasted, with prime paint cover and finish marine paint.
- Sheaves: 34 Cr Ni Mo 6 axis + bearing bushes.

OPTIONAL FEATURES

- Challenge BEZEMER to provide an innovative and cost effective mooring system for your project. Custom designed systems for several deck arrangements are available.
- Central lubrication systems.
- Stainless steel roller axes.



TITLE:

ANCHOR FAIRLEADER TYPE AF 50

DRAWN	SCALE	DRAWING SIZE	ORDER NUMBER:	TOT SHEETS
DATE 18-03-1999		A4		
PROJECT		TOTAL WEIGHT	DRAWING NUMBER:	SHEET NR
FILE L:\fairlead\af50\af50-200		± 3400 kg.	93-340-200	