
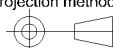


No details guaranteed, but believed correct.

	Warehouse code 31.096-31.097		Dimensions xxxx		Project xxxx	Quantity 2
Workload 150 ton	Testload xxxx	Breakload xxxx	Weight xxxx kg	Drawn by THA	Remarks xxxx	
				Scale 1:20	Material xxxx	
				Unit mm		
				Date 07-08-2013		
 Tenwolde Transport en Repair B.V. Postbus 5023 3274 ZJ Heinoord Boonsweg 19 3274 LH Heinoord T 0186-603333 F 0186-603619 E info@tenwolde.com W www.tenwolde.com			Projection method 	Drawingnumber	Revision A1	Sheet size A4
			Title Two sheave block with ramshorn WLL 150 ton / 1500 kN			