

25 tn. Hydraulic Winch (2 pcs.)

TTR Code no.: 11.449 + 11.450

Specifications

Type	: Hydraulic single drum
Make	: De Groot Nijkerk
Built	: 1996
TTR WO-nr.	: 4634
Line pull	: 315 kN @ 250 bar (1st layer)
Line speed	: 10 mtr / min @ 150 ltr / min (1 st layer) 30 mtr / min @ 450 ltr / min (1 st layer)

Drum size

Drum diameter	: 520 mm
Drum length	: 900 mm
Flange diameter	: 900 mm
Wire capacity	: 350 mtr steel wire Ø 30 mm (6 layers) (Overwind)

Drive

Hydraulic motor	: Hagglunds
Type	: MB84 25100 A1 LN 0200
Displacement	: 25090 cm ³
Max Press	: 320 Bar

Dimensions

Dimensions o.a.	: 1.900 x 1.180 x 1.430 mm (L x W x H)
Dimensions base	: 1.662 x 1.150 mm (L x W)
Weight	: Approx. 4.100 kg (excl. steel wire)

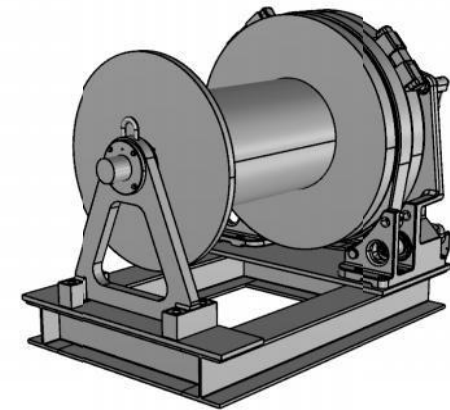
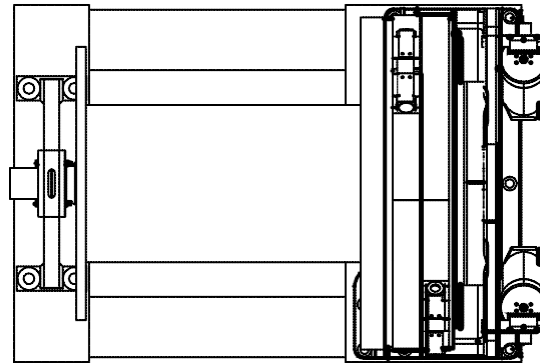
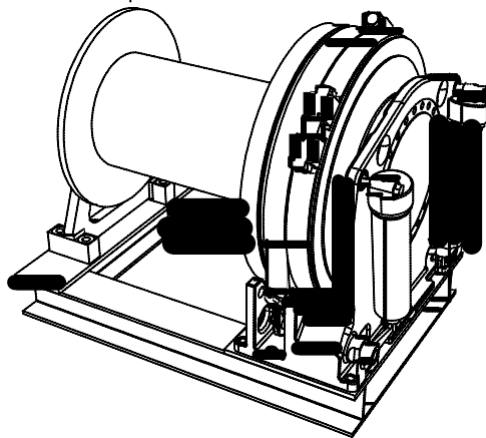
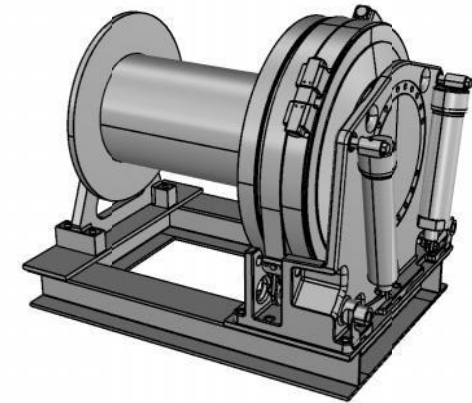
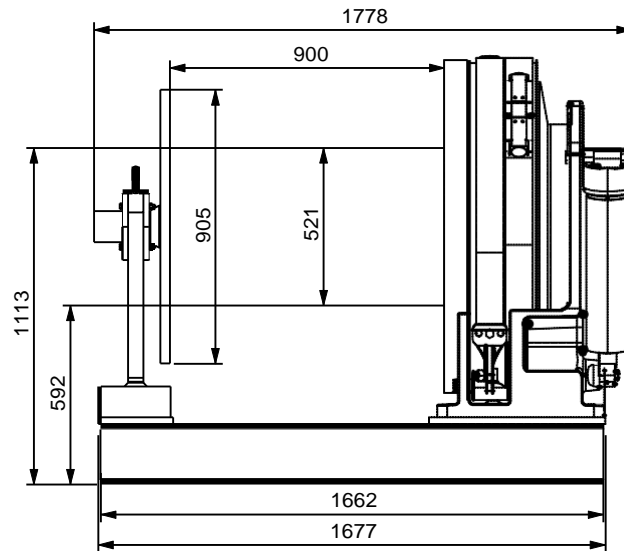
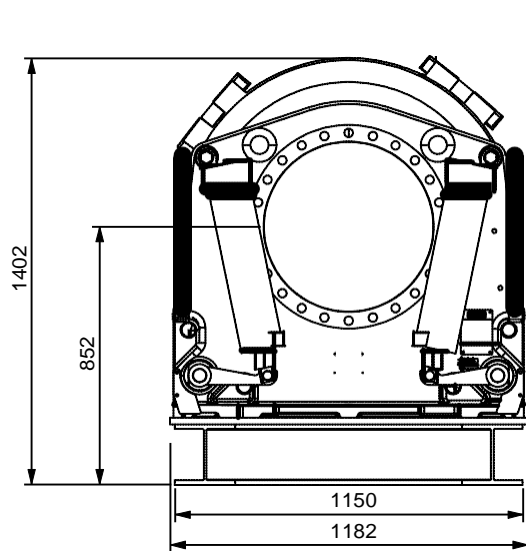
Tenwolde Transport
en Repair B.V.

P.O. Box 5023
3274 ZJ Heinoord
the Netherlands

Tel: +31(0)186-603333
Fax: +31(0)186-603619
info@tenwolde.com

Visiting address:
Boonsweg 19
3274 LH Heinoord
the Netherlands





Specifications:
 Make De Groot Nijkerk
 Type Hydraulic single drum

Line pull 250 kN - 1st layer @ 200 bar
 Line speed 10 m/min @170 lpm (1st layer)
 25 m/min @ 425 lpm (1st layer)


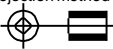
Drum size:
 Drum diameter 521 mm
 Drum length 900 mm
 Flange dia 905 mm

Drum wire capacity 350 meter - steel wire diameter 30 mm (6 layers)(overwind)

Drive:
 Hydraulic motor Hagglunds
 Type MB84 25001 A1 LN 0200
 Displacement 25090 cm3
 Maximal press 320 bar

Brake one band in either direction type BA-85 brake torque 120000 Nm

No details guaranteed but believed correct

Work order 4634	Warehouse code 11.449-11.450	Dimensions overall 1778 x 1182 x 1402 mm	Project xxxx	Quantity 2
Workload xxxx	Testload xxxx	Breakload xxxx	Weight 4100 kg excl. steelwire	Drawn by THA Scale 1:25
			Unit mm	Material xxxx
			Date 18-04-2016	
		Tenwolde Transport en Repair B.V. Postbus 5023 3274 ZJ Heineoord Boonsweg 19 3274 LH Heineoord T 0186-603333 E info@tenwolde.com W www.tenwolde.com	Projection method 	Drawingnumber 01-01- Winch hydr 31.5 ton 11.449-11.450
		Title Hydraulic winch 250 kN	Revision A0	Sheet size A4