

ISO VIEW

REFERENCE DRAWINGS:

- LAS TEKENING : 270807-02
- ONDERDELEN TEKENING : 270807-03
- BRAND TEKENING : 270807-04

Rev.	Drawn	Date	Description	Proj.	Bas.	Sfru.	Det.	THM
A	TD-ILK	06-12-07	A.F.C.					

Client : TENWOLDE TRANSPORT en REPAIR BV

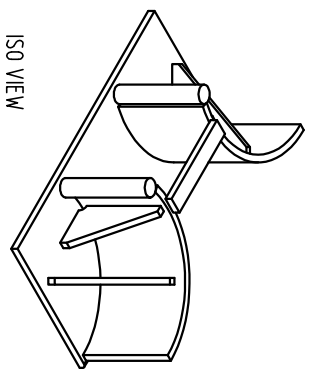
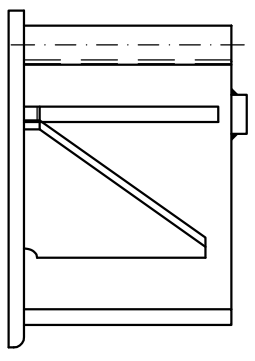
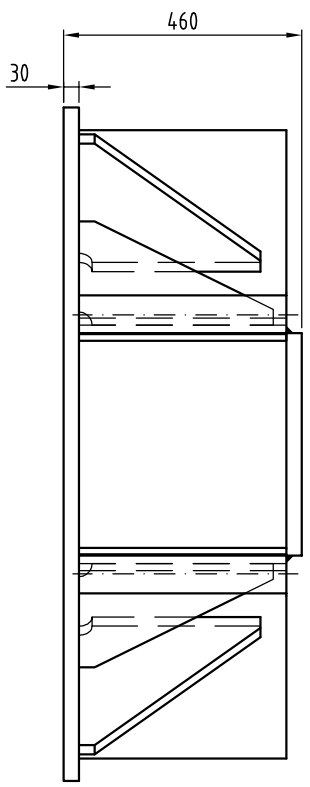
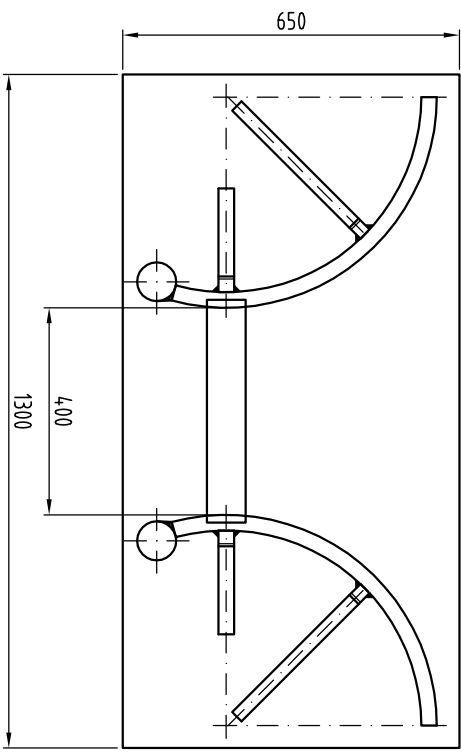
Project : TOWING FAIRLEAD

Title : LARGE SIZE FAIRLEAD STARBOARD ASSEMBLY


TENWOLDE
 Proj. method 

Scale : 1:10

BOONSWEG 19 3714 LH HEERENKORF TEL: +31-86-603333		Drawing no. 270807-01		Rev. A
POSTBUS 523 3720 ZJ HEERENKORF FAX: +31-86-603679		Order No. TDC 270807		
Format A3				



REFERENCE DRAWINGS:

- LAS TEKENING : 260807-02
- ONDERDELEN TEKENING : 260807-03
- BRAND TEKENING : 260807-04

Rev.	Drawn	Date	Description	Proj.	Bas.	Sfru.	Det.	DWG
A	TD-IJK	06-12-07	A.F.C.					

Client : **TENWOLDE TRANSPORT en REPAIR BV**

Project : **TOWING FAIRLEAD**

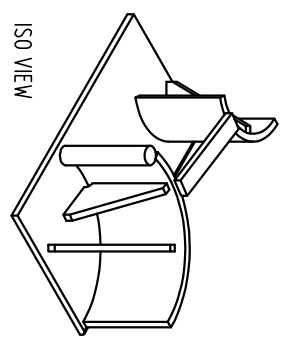
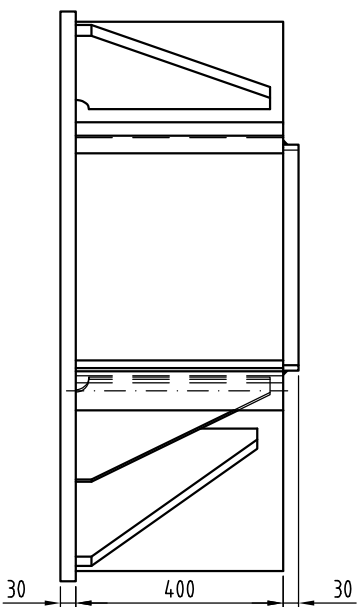
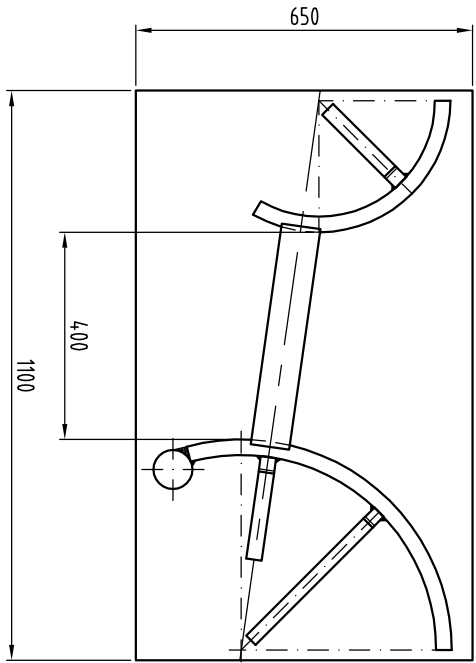
Title : **LARGE SIZE FAIRLEAD CENTER ASSEMBLY**


TENWOLDE
 Proj. method 

Scale : **1:10**

Format	Order No.	Drawingno.	Rev.
A3	TDC 260807	260807-01	A

BOONSWEG 19 3714 LH HENENROOD TEL: +31-86-603333
 POSTBUS 523 3714 ZJ HENENROOD FAX: +31-86-603819



REFERENCE DRAWINGS:

- LAS TEKENING : 280807-02
- ONDERDELEN TEKENING : 280807-03
- BRAND TEKENING : 280807-04

Rev.	Drawn	Date	Description	Proj.	Bas.	Sfru.	Det.	Th.M.
A	TD-ILK	06-12-07	A.F.C.					

Client : **TENWOLDE TRANSPORT en REPAIR BV**

Project : **TOWING FAIRLEAD**

Title : **LARGE SIZE FAIRLEAD PORTSIDE ASSEMBLY**



BOONSWEG 19 3714 LH HENNELOORD TEL: +31-86-603333
 POSTBUS 523 3714 ZJ HENNELOORD FAX: +31-86-603619

Format	Order No.	Drawingno.	Rev.
A3	TDC 280807	280807-01	A

Scale : **1:10**

