

1 2 3 4 5 6 7 8

A

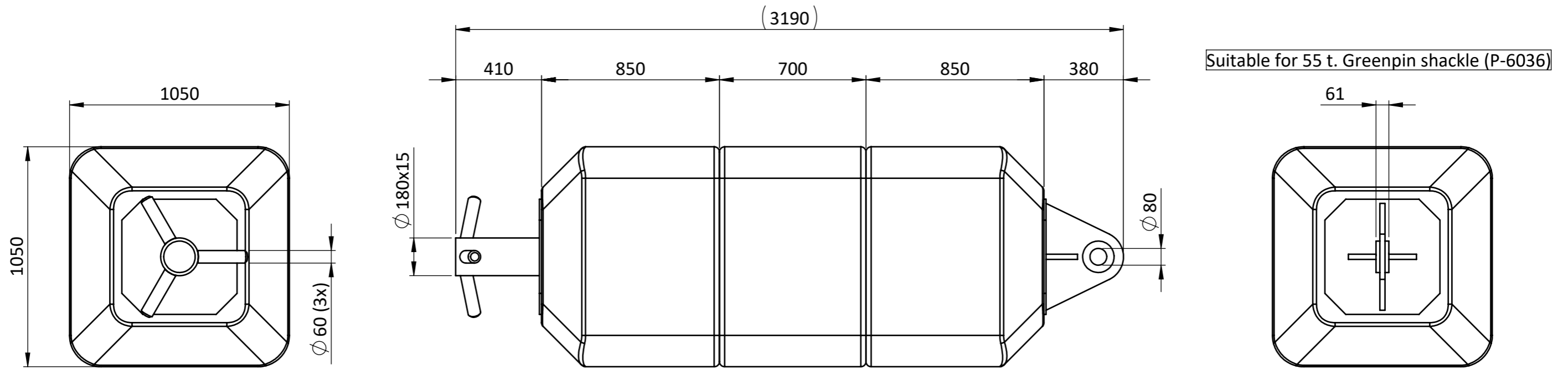
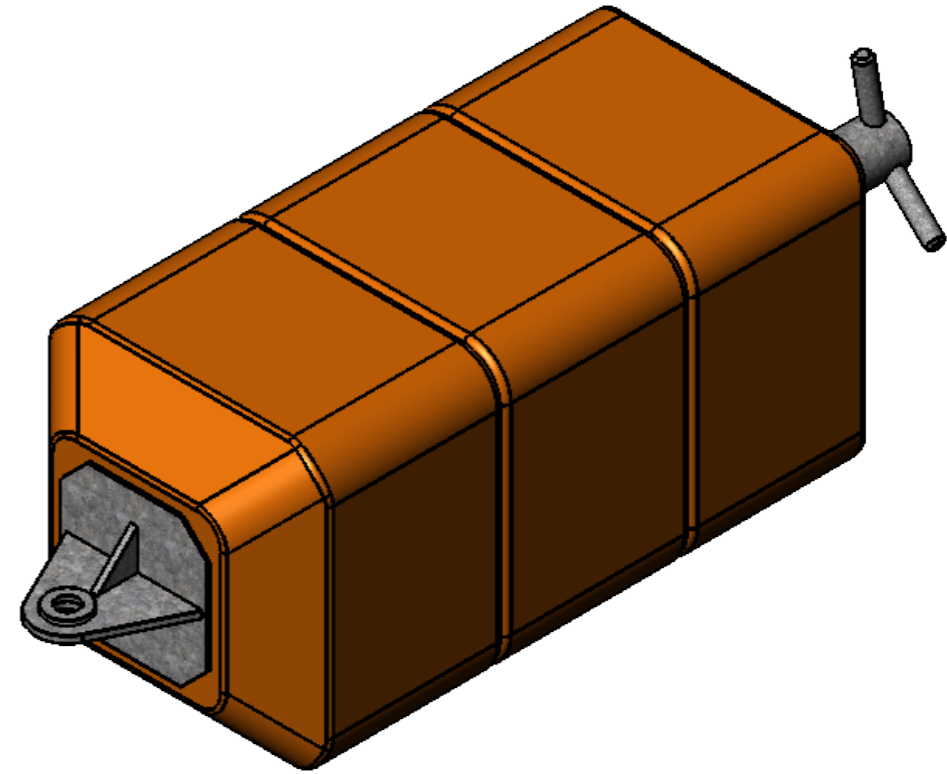
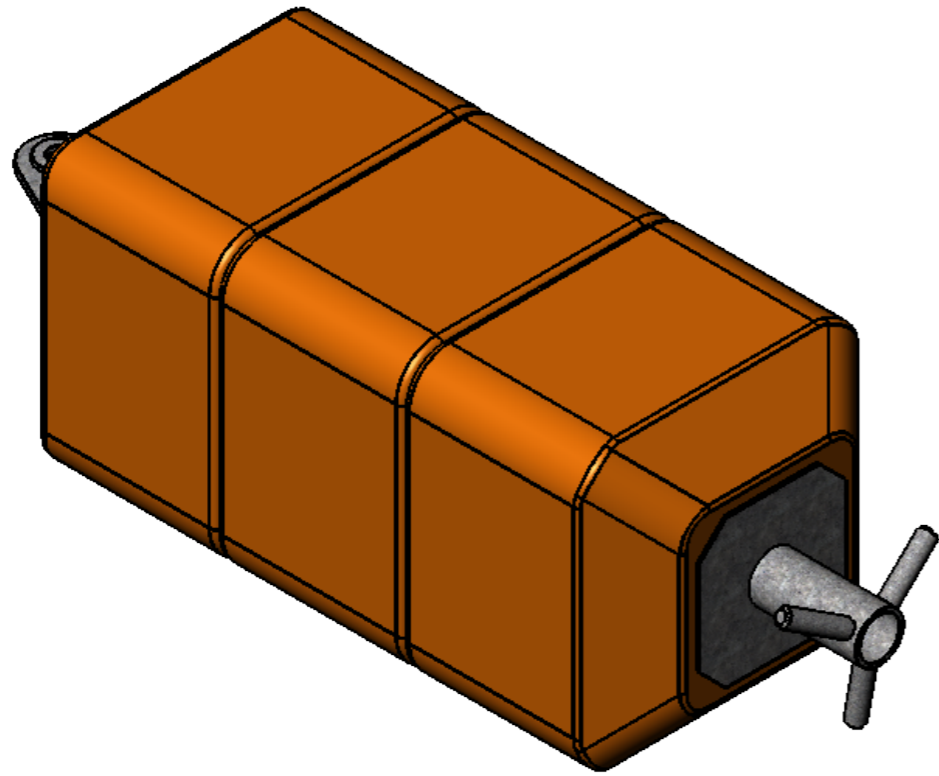
B

C

D

E

F



Suitable for 55 t. Greenpin shackle (P-6036)

WEIGHT: APPROX. 495 KG.
BUOYANCY FRESH WATER: 2000 KG.
BUOYANCY SEA WATER: 2060 KG.

DESCRIPTION Modular Scanmarin Buoy		NO DETAILS GUARANTEED, BUT BELIEVED CORRECT				
		DEBURR AND BREAK ALL SHARP EDGES GENERAL ROUGHNESS: Ra 6,3 * ALL TOLERANCES ACC. TO ISO 2768-M * * UNLESS STATED OTHERWISE			PROJECTION 	
TENWOLDE TRANSPORT AND REPAIR B.V. Boonsweg 19 3274 LH Heinoord THE NETHERLANDS Tel. +31 (0)186 603333 Fax +31 (0)186 603619 info@tenwolde.com www.tenwolde.com	DRAWING NO. TM-55517-4813-00-00-HS-000-A		W.O. NO. 4813	DATE 11-10-2017	SCALE 1:20	SHEET 1/1
	THE INFORMATION CONTAINED IN THIS DRAWING IS THE SOLE PROPERTY OF TENWOLDE. ANY REPRODUCTION IN PART OR AS WHOLE WITHOUT THE WRITTEN PERMISSION OF TENWOLDE IS PROHIBITED.		TTR CODE 55.517 - 55.520	MATERIAL PE	SIZE A3	REV. A
UNIT	mm	DRAWN	RV			

1 2 3 4 5 6 7 8