

## 2 pcs. 25 tn. Hydraulic Winch

TTR Code no.: 11.451 + 11.455

### Specifications

Type	: Hydraulic single drum
Make	: De Groot Nijkerk
Built	: 1996
TTR Wo nr.	: 4634 / 4828
Line pull	: 315 kN @ 250 bar (1 <sup>st</sup> layer)
Line speed	: 10 mtr / min @ 150 ltr. / min. (1 <sup>st</sup> layer) 30 mtr / min @ 450 ltr. / min.

### Drum size

Drum diameter	: 521 mm
Drum length	: 1.000 mm
Flange diameter	: 900 mm
Wire capacity	: 395 mtr steel wire Ø 30 mm (6 layers) (Overwind)

### Drive

Hydraulic motor	: Hagglunds
Type	: 11.451 – MA 84-25100-AI-RN-0200 : 11.455 – MB 84-25100-XN-0200
Displacement.	: 25.090 cm <sup>3</sup>
Max Press	: 320 Bar

### Dimensions

Dimensions o.a.	: 1.876 x 1.180 x 1.418 mm (L x W x H)
Dimensions base	: 1.760 x 1.150 mm (L x W)
Weight	: Approx. 4.200 kg (excl. steel wire)

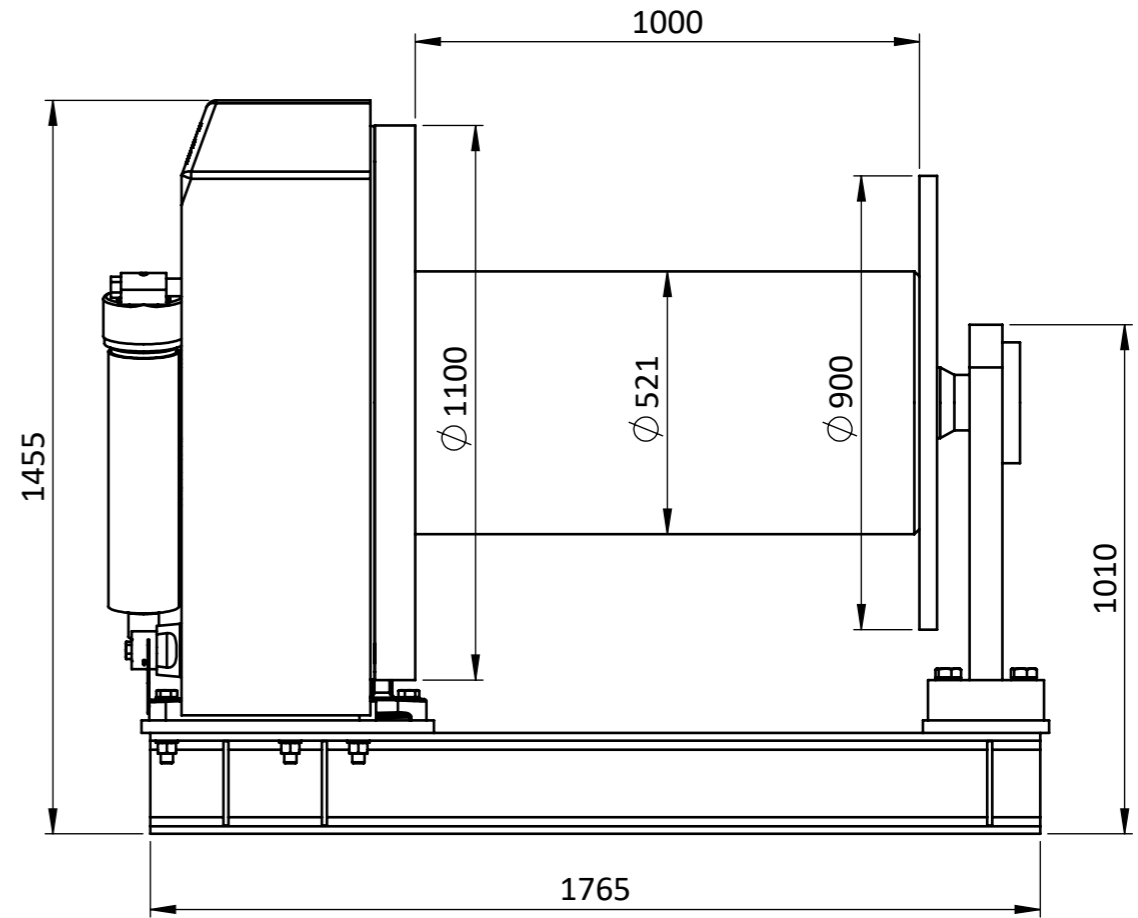
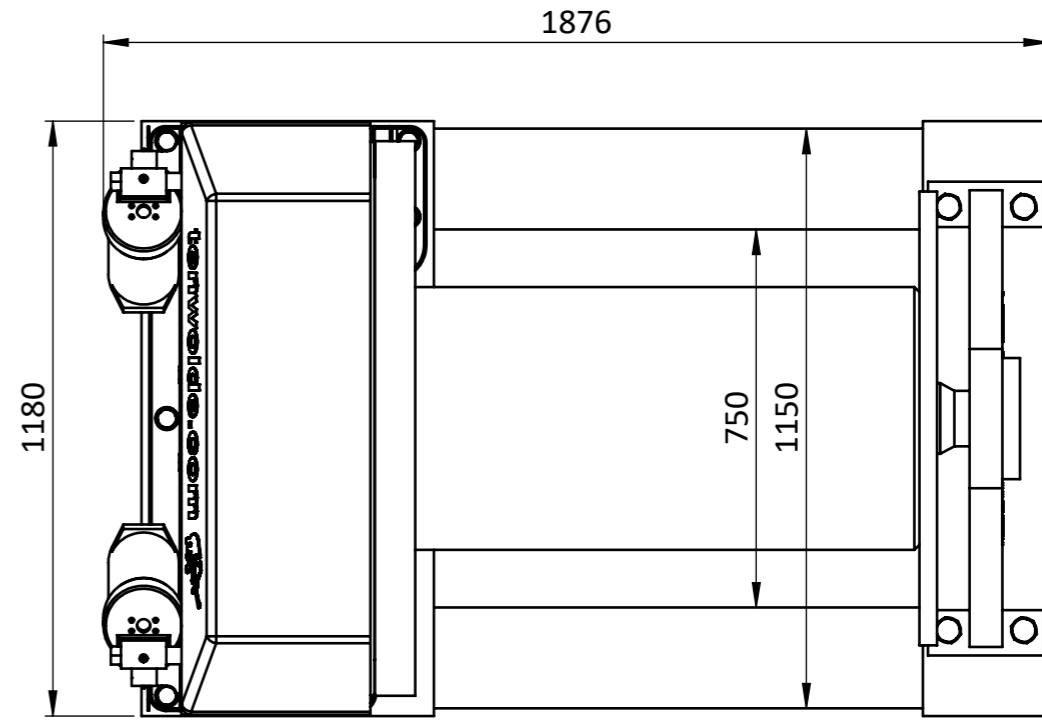
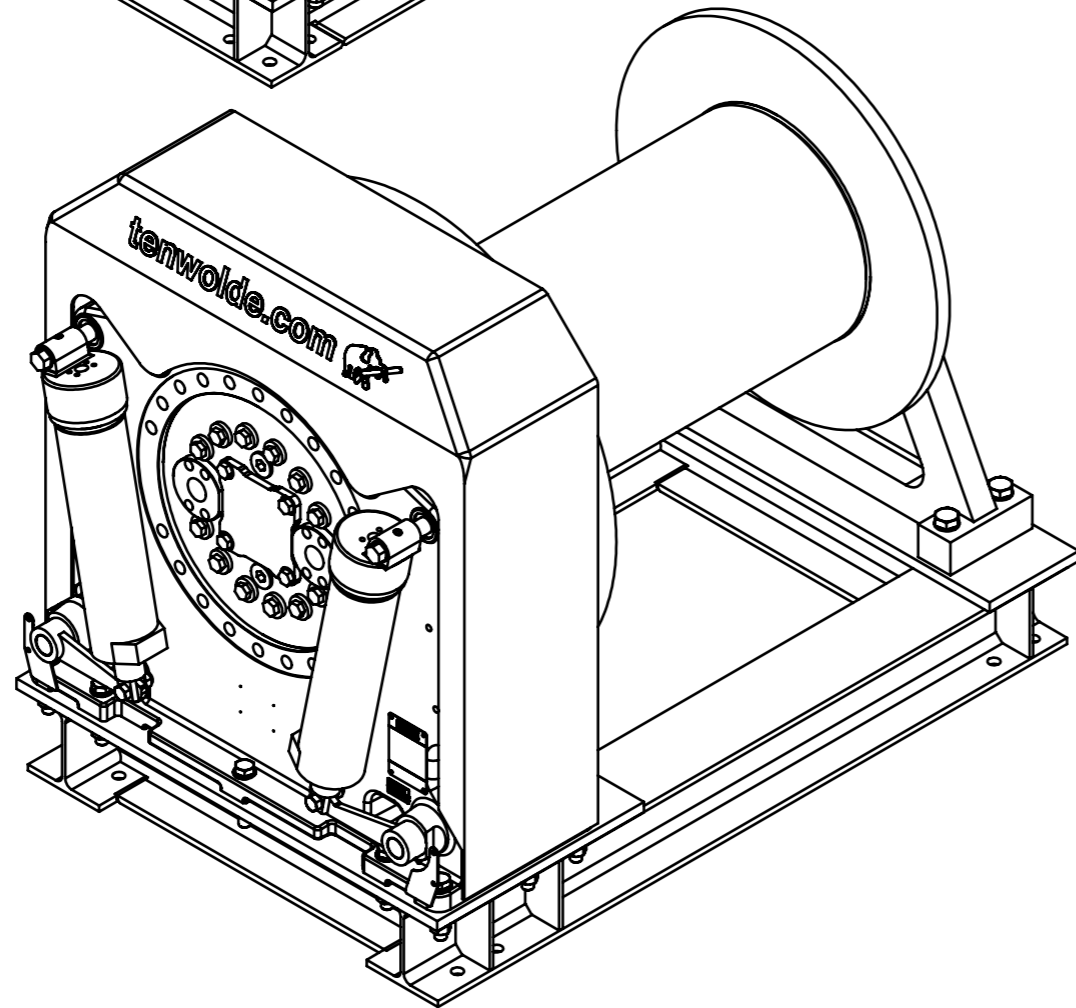
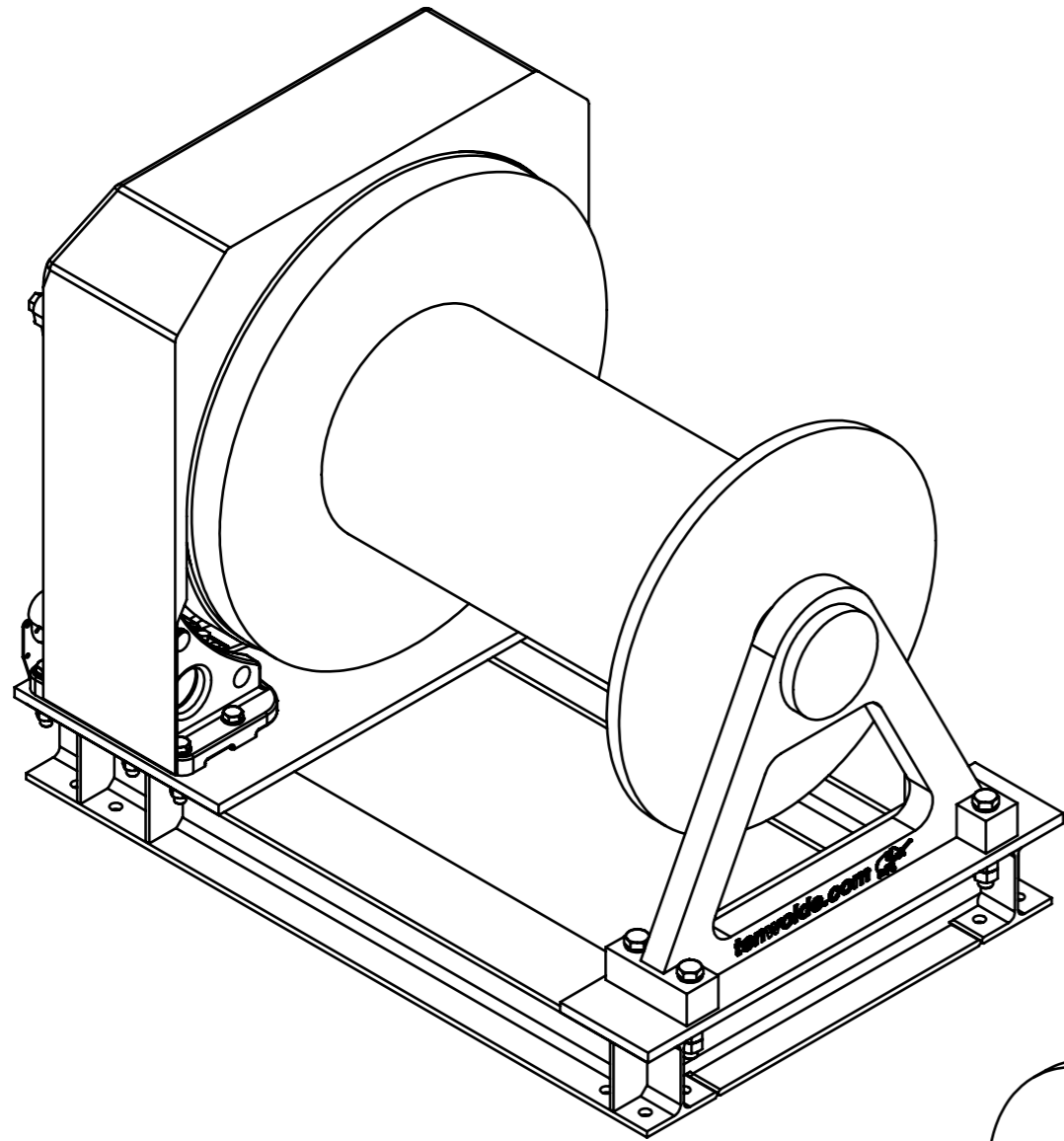
Tenwolde Transport  
en Repair B.V.

P.O. Box 5023  
3274 ZJ Heinoord  
the Netherlands

Tel: +31(0)186-603333  
Fax: +31(0)186-603619  
info@tenwolde.com

Visiting address:  
Boonsweg 19  
3274 LH Heinoord  
the Netherlands





DESCRIPTION		NO DETAILS GUARANTEED, BUT BELIEVED CORRECT				
WINCH ASSEMBLY INCL. FRAME		DEBURR AND BREAK ALL SHARP EDGES		PROJECTION		
		GENERAL ROUGHNESS: Ra 6,3 *				
		ALL TOLERANCES ACC. TO ISO 2768-M *		* UNLESS STATED OTHERWISE		
		DRAWING NO. TM-11451-4828-00-00-HS-000-A		W.O. NO. 4828	DATE 24-10-2017	SCALE 1:15
TENWOLDE TRANSPORT AND REPAIR B.V. Boonsweg 19 3274 LH Heinoord THE NETHERLANDS Tel. +31 (0)186 603333 Fax +31 (0)186 603619 info@tenwolde.com www.tenwolde.com		THE INFORMATION CONTAINED IN THIS DRAWING IS THE SOLE PROPERTY OF TENWOLDE. ANY REPRODUCTION IN PART OR AS WHOLE WITHOUT THE WRITTEN PERMISSION OF TENWOLDE IS PROHIBITED.		MATERIAL -	SIZE A3	REV. A
		UNIT mm	DRAWN	RV		